

Fittings with hose connection

Tüllen mit Schlauchanschluss

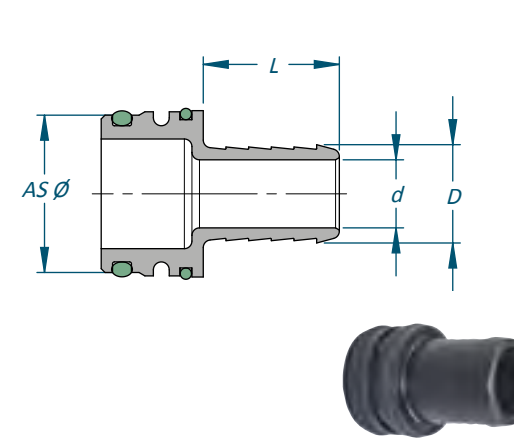
	AS20		AS24		AS30		AS40		AS50	
	┌	└	┌	└	┌	└	┌	└	┌	└
∅ 12 mm										
		34237								
∅ 13 mm	11827 V		81348							
				82250						
∅ 15 mm	00464 V		80157							
	34236		34230	80349						
∅ 16 mm										
				80780						
∅ 17 mm	81495							33791		
	37238		34229	81791						
∅ 20 mm	34150		81054		00420	09178, 80826 V	80353	80352		
			34227	80350 KS	34234	83588 KS	80354	81655		
∅ 22 mm										
				80781						
∅ 25 mm					81119 V	08337 V	04595	09184		
	80572		47934		34233		80357	81654		
∅ 33 mm					01399 V	33793 V	04581	08874		
							34232	81653 KS		
∅ 39 mm							06247	08275	22040	24891
							34231	81652		
∅ 40 mm									84271	
							83967	84260		
∅ 46 mm							17408		17157	17330
∅ 50 mm									80464	82472
∅ 63 mm									83673	
									84128	

Male hose tails Stecktüllen
 Female hose tails Stülptüllen

┌ straight gerade
 └ angled gewinkelt

v with valve seat mit Ventilsitz
 ks Female hose tail with clamp, see <?> Stülptülle mit Steckersicherung, vgl. 13

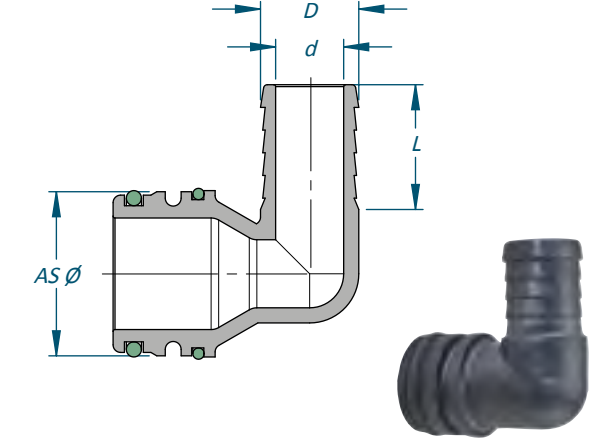
Male hose tails



AS Ø	Article no. Artikel-Nr.	D mm	d mm	L mm	Pressure Druck bar
AS20	11827 V	13	7,0	20	20
AS20	00464 V	15	10,3	24	20
AS20	81495	17	12,0	27	20
AS20	34150	20	9,5	32	20
AS24	81348	13	7,0	34	20
AS24	80517	15	10,0	34	20
AS24	81054	20	14,0	34	20
AS30	33791	17	12,0	28	20
AS30	00420	20	15,0	32	20
AS30	81119 V	25	18,0	36	20
AS30	01399 V	33	26,0	36	20
AS40	80353	20	15,0	36	20
AS40	04595	25	18,0	36	20
AS40	04581	33	26,0	38	20
AS40	06247	39	29,0	43	15
AS40	17409	46	31,0	31	5
AS50	22040	39	34,0	33	5
AS50	17157	46	38,0	38	5
AS50	80464	50	35,0	38	5
AS50	83673	63	35,0	53	5

v Fitting with valve seat
 Fitting mit Ventilsitz

Stecktüllen



AS Ø	Article no. Artikel-Nr.	D mm	d mm	L mm	Pressure Druck bar
AS30	09178	20	15,0	26	20
AS30	08337 V	25	18,0	29	20
AS30	33793 V	33	20,0	27	20
AS40	80352	20	15,0	28	20
AS40	09184	25	18,0	33	20
AS40	08874	33	26,0	33	20
AS40	08275	39	29,0	31	20
AS50	24891	39	34,0	27	5
AS50	17330	46	38,0	27	5
AS50	82472	50	38,0	33	5

All articles including o-rings
 Alle Artikel inkl. O-Ringe

Spare O-Rings
 Ersatz O-Ringe

Article no. Artikel-Nr.	Dimensions Maße	Material Material	Suitable for Passend für
37618	14,0 x 2,5 mm	FPM-75	AS20
83069	17,1 x 2,6 mm	FPM-80	AS24
02633	25,0 x 4,0 mm	FPM-75	AS30
05243	35,0 x 4,0 mm	FPM-75	AS40
37628	38,0 x 3,0 mm	FPM-75	
41214	42,0 x 3,0 mm	FPM-75	AS50
18544	40,0 x 4,0 mm	FPM-75	